

SELFLOK

POLE FENCING



CREATED BY

 **PermaPine**
ROUNDWOOD SPECIALISTS

The Attractive, Strong and Long-Lasting SELFLOK pole fencing is the perfect way to set your property apart.



- Easy to Install
- No nails or glue required as it locks together
- One, two, three and four rail options available
- Uniform diameter allows for easy replacement or extension of fencing
- Pre-finished but can be stained or left natural
- Ground treated to H4 to ensure durability

SPECIFICATIONS

All SELFLOK Pole Fencing is machined to a uniform diameter from New Zealand grown Pine.

There are two ranges – 'Signature' Range, the 'Homestead' range

SIGNATURE RANGE

POSTS:	200mm diameter
POST LENGTHS:	0.9, 1.2m, 1.5m, 1.8, 2.1m, 2.4m
RAILS:	123mm diameter Choose from 1-4 Rails
RAIL LENGTH:	2.4m

HOMESTEAD RANGE

POSTS:	180mm diameter
POST LENGTHS:	0.9, 1.2m, 1.5m, 1.8m, 2.1m, 2.4m
RAILS:	113 diameter Choose from 1-4 rails
RAIL LENGTH:	2.4m



INSTALLATION

SELFLOK is designed for installation by the home handyman or professional fencer using the following steps:

- 1 Measure fence line and position poles at required spacing.
- 2 Ensure post holes are 25% larger than posts.
- 3 Secure pole (concrete or earth compacted)
- 4 Peg double string line between fence line span and use spirit level on each post.
- 5 Lock in rails and align second post and secure.
- 6 Assemble each pole and rail section prior to concreting holes or ramming down.





Cnr White Road and Broadlands Road, Reporoa
Postal 33 White Road, RD1, Reporoa 3081, New Zealand
Sales 0800 PERMAPINE (737 627) www.permapine.co.nz



Order Form

STORE _____

Customer Name: _____ Phone: _____

Customer Address: _____ Mobile: _____

_____ Email: _____

Please complete this order sheet confirming your order. Ensure this is accurate as your SelfLok will be manufactured to order.

SELFLOK Signature

SELFLOK Homestead

SELFLOK Lifestyle

SELFLOK RAILS

1 Rail Pole Fence

2 Rail Pole Fence

3 Rail Pole Fence

4 Rail Pole Fence

TOTAL NUMBER OF RAILS

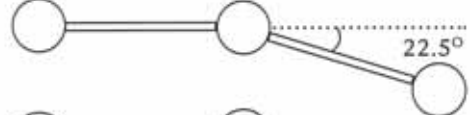
SELFLOK POSTS

Intermediate Posts (Holes both sides)

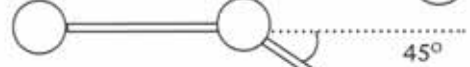
Straight: Number



Corner: Number



Sharp Corner: Number



Right Angle Corner: Number



TOTAL NUMBER OF POSTS

End Posts (Holes on one side only)

Same diameter as intermediate posts or larger

Signature 200mm

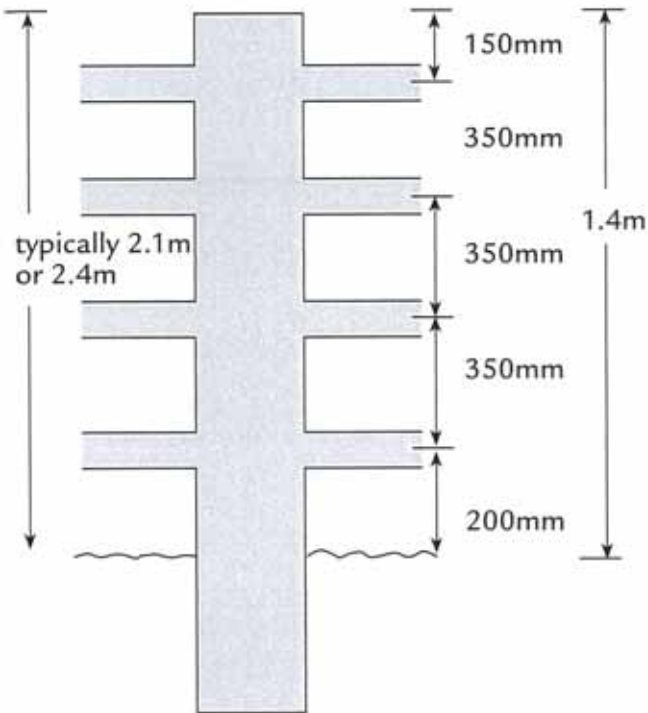
Homestead 180mm
200mm

Lifestyle 140mm
180mm

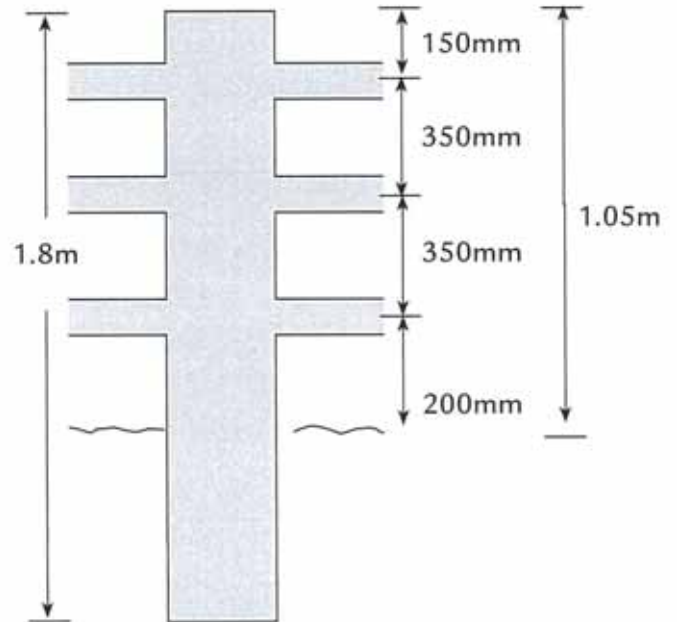
Dimensions



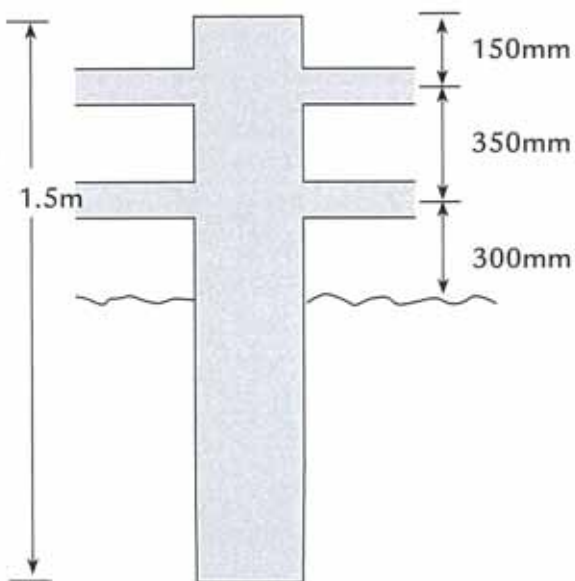
4 RAIL FENCE



3 RAIL FENCE



2 RAIL FENCE



1 RAIL FENCE

